

**NA4900-XL**

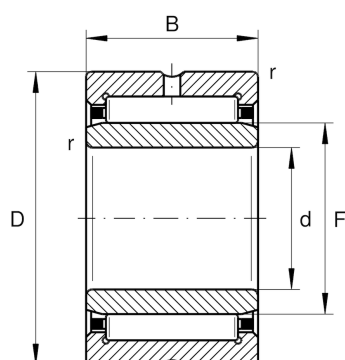
Radial roller bearing

Schaeffler ID:
0506594210000

Radial roller bearing NA..-XL

X-life

Technical information

**Main Dimensions & Performance Data**

d	10 mm	Bore diameter
D	22 mm	Outside diameter
B	13 mm	Width
C_r	9,600 N	Basic dynamic load rating, radial
C_{0r}	9,200 N	Basic static load rating, radial
C_{ur}	1,660 N	Fatigue load limit, radial
n_G	24,600 1/min	Limiting speed
$n_{G \text{ Grease}}$	14,800 1/min	Limiting speed for grease lubrication
n_{gr}	16,400 1/min	Reference speed
	23.85 g	Weight

Dimensions

r_{\min}	0.3 mm	Minimum chamfer dimension
F	14 mm	Raceway diameter inner ring
s	0.5 mm	Axial displacement

Temperature range

T_{\min}	-30 °C	Operating temperature min.
T_{\max}	120 °C	Operating temperature max.